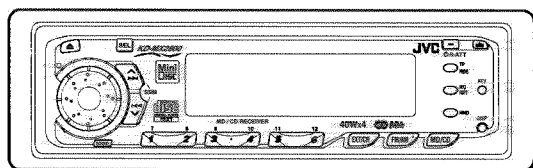
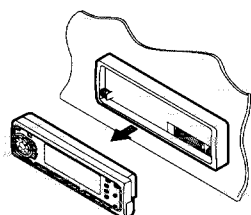


JVC

SERVICE MANUAL

MD/CD RECEIVER

KD-MX2800R



Area Suffix

E ---- Continental Europe




This service manual had an only difference point between KD-MX3000RB.
Please, details refer to service manual for KD-MX3000RB (Issue No.49480).

Contents

Safety precaution	2
Standard schematic diagrams	3 ~ 6
Parts list	7, 8

Safety precaution

 **CAUTION** Burrs formed during molding may be left over on some parts of the chassis. Therefore, pay attention to such burrs in the case of performing repair of this system.

 **CAUTION** Please use enough caution not to see the beam directly or touch it in case of an adjustment or operation check.

Standard schematic diagrams

Main section

6

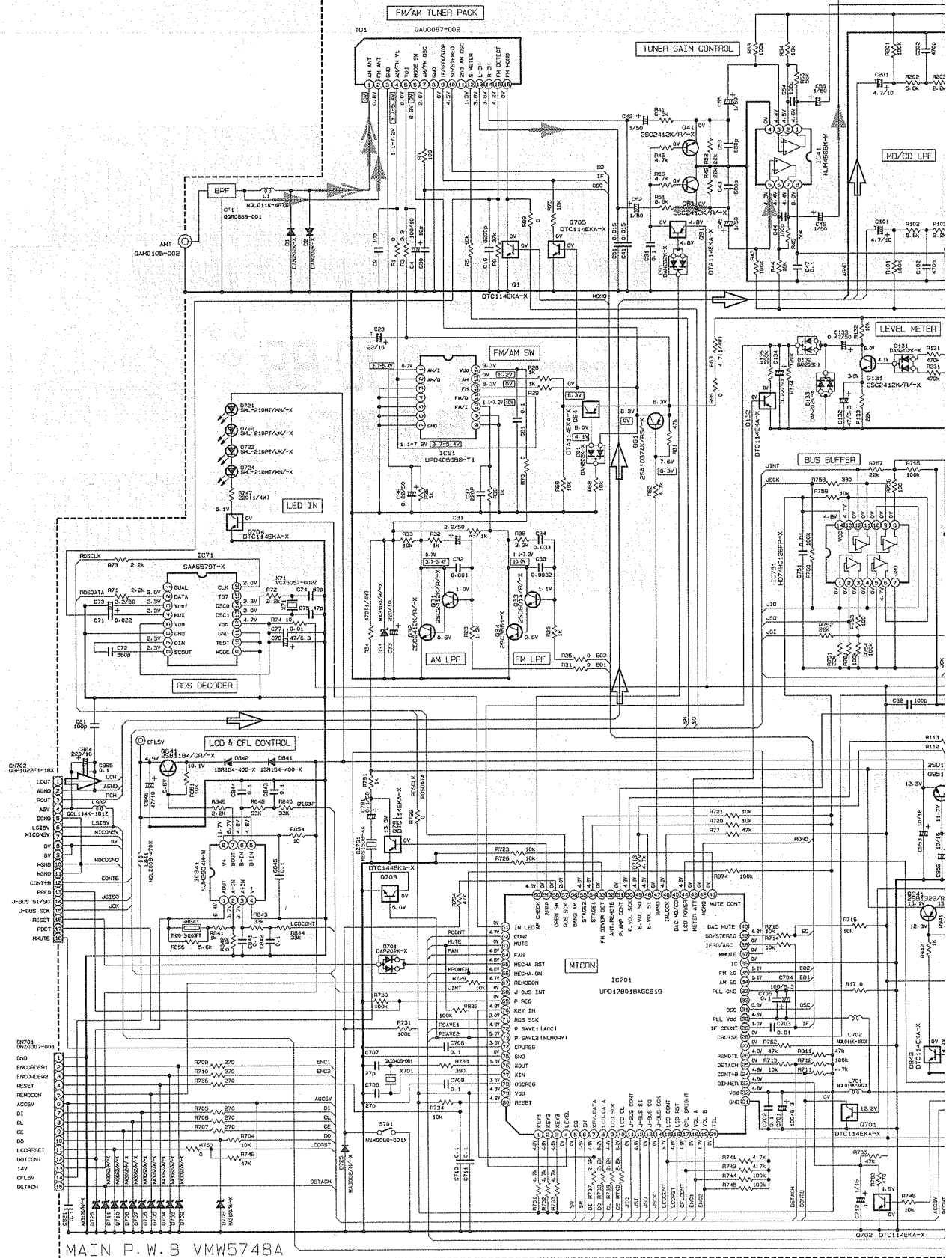
5

4

3

2

1



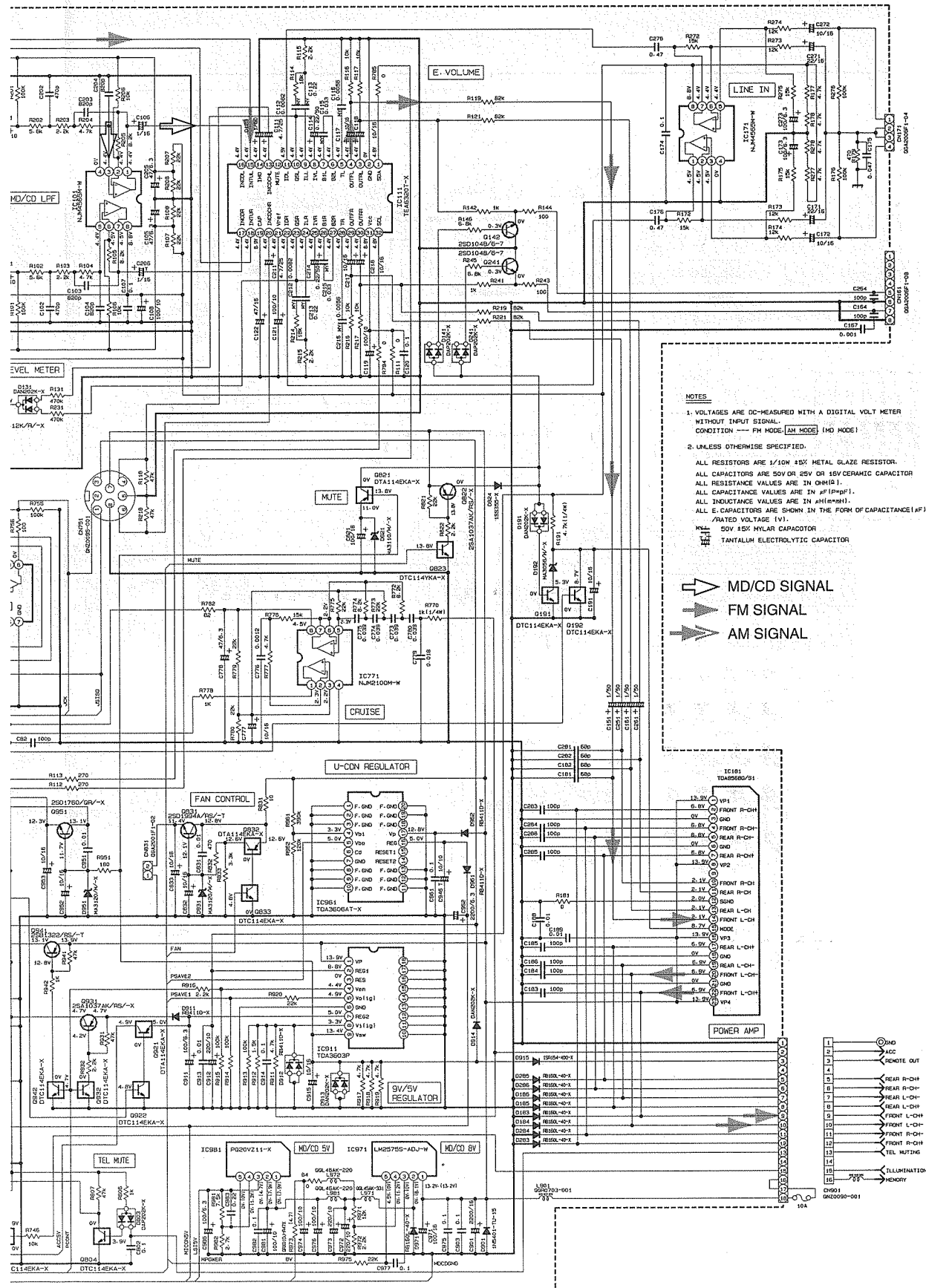
A

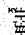
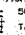
B

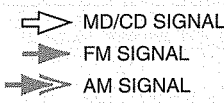
C

D

E

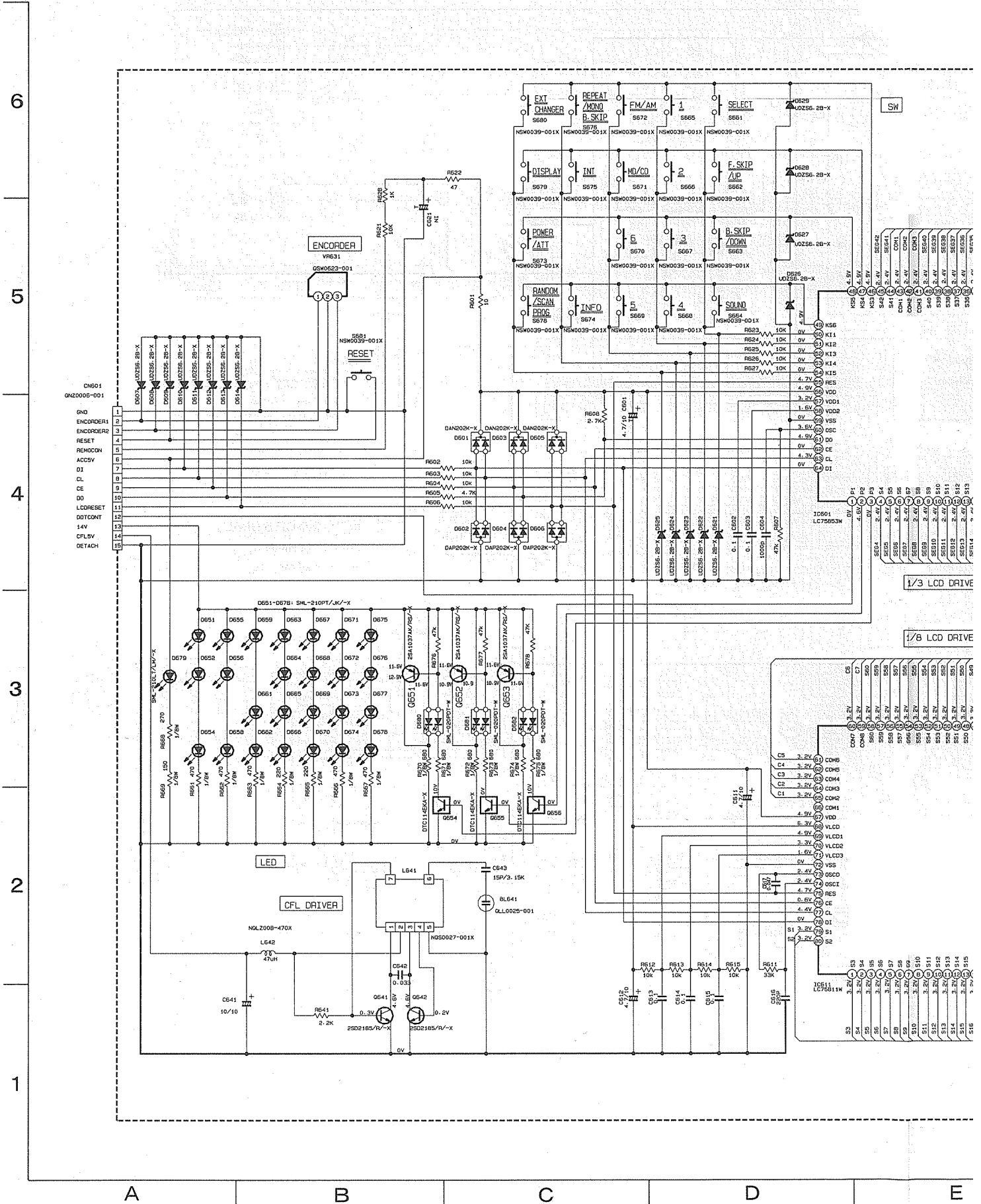


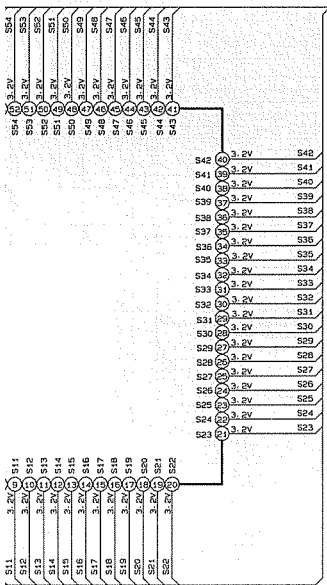
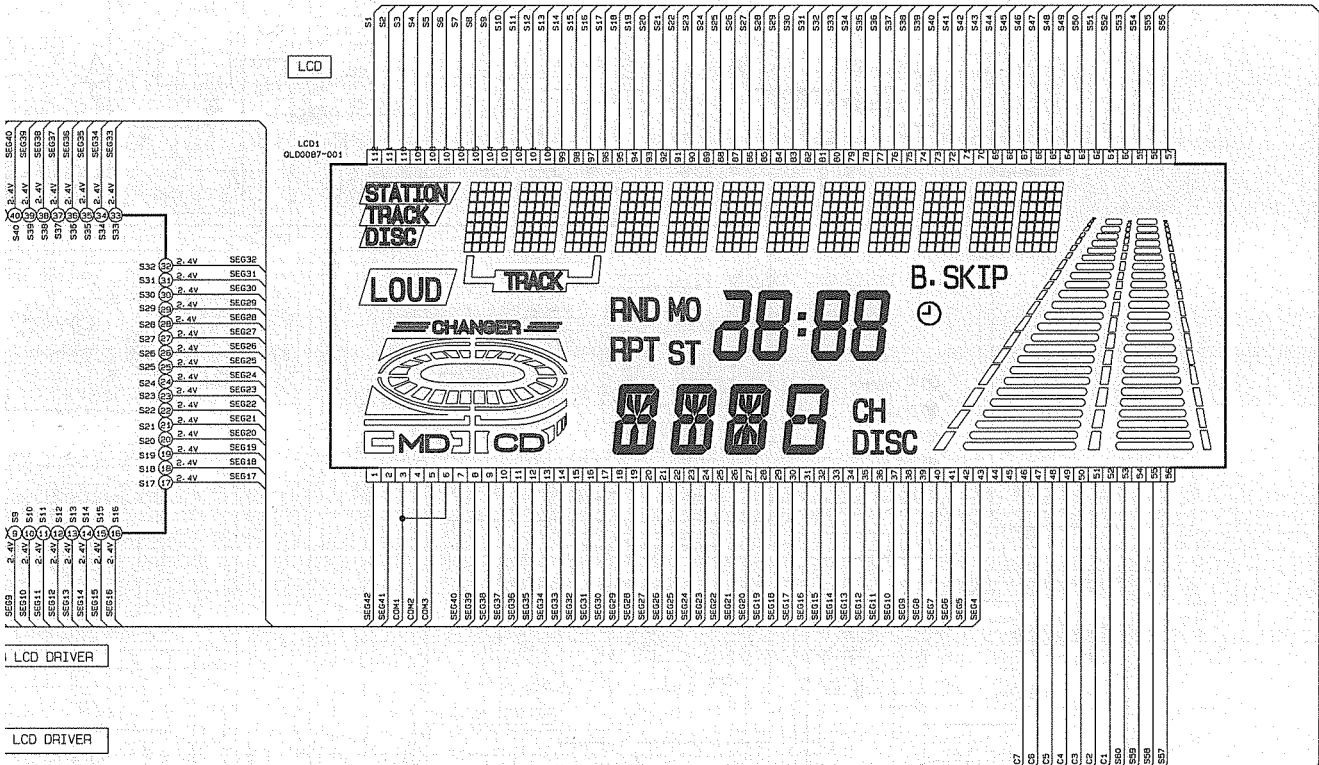
- NOTES**
1. VOLTAGES ARE DC-MEASURED WITH A DIGITAL VOLT METER WITHOUT INPUT SIGNAL. CONDITION --- FM MODE, [AM MODE] (MD MODE)
 2. UNLESS OTHERWISE SPECIFIED, ALL RESISTORS ARE 1/10W ±5% METAL GLAZE RESISTOR. ALL CAPACITORS ARE 50V OR 25V OR 16V CERAMIC CAPACITOR. ALL RESISTANCE VALUES ARE IN OHMS. ALL CAPACITANCE VALUES ARE IN μF(10μF). ALL INDUCTANCE VALUES ARE IN mH(10mH). ALL E. CAPACITORS ARE SHOWN IN THE FORM OF CAPACITANCE(μF)/RATED VOLTAGE (V).
-  50V 150μMVAR CAPACITOR
 TANTALUM ELECTROLYTIC CAPACITOR



E F G H I

LCD & operation switch section





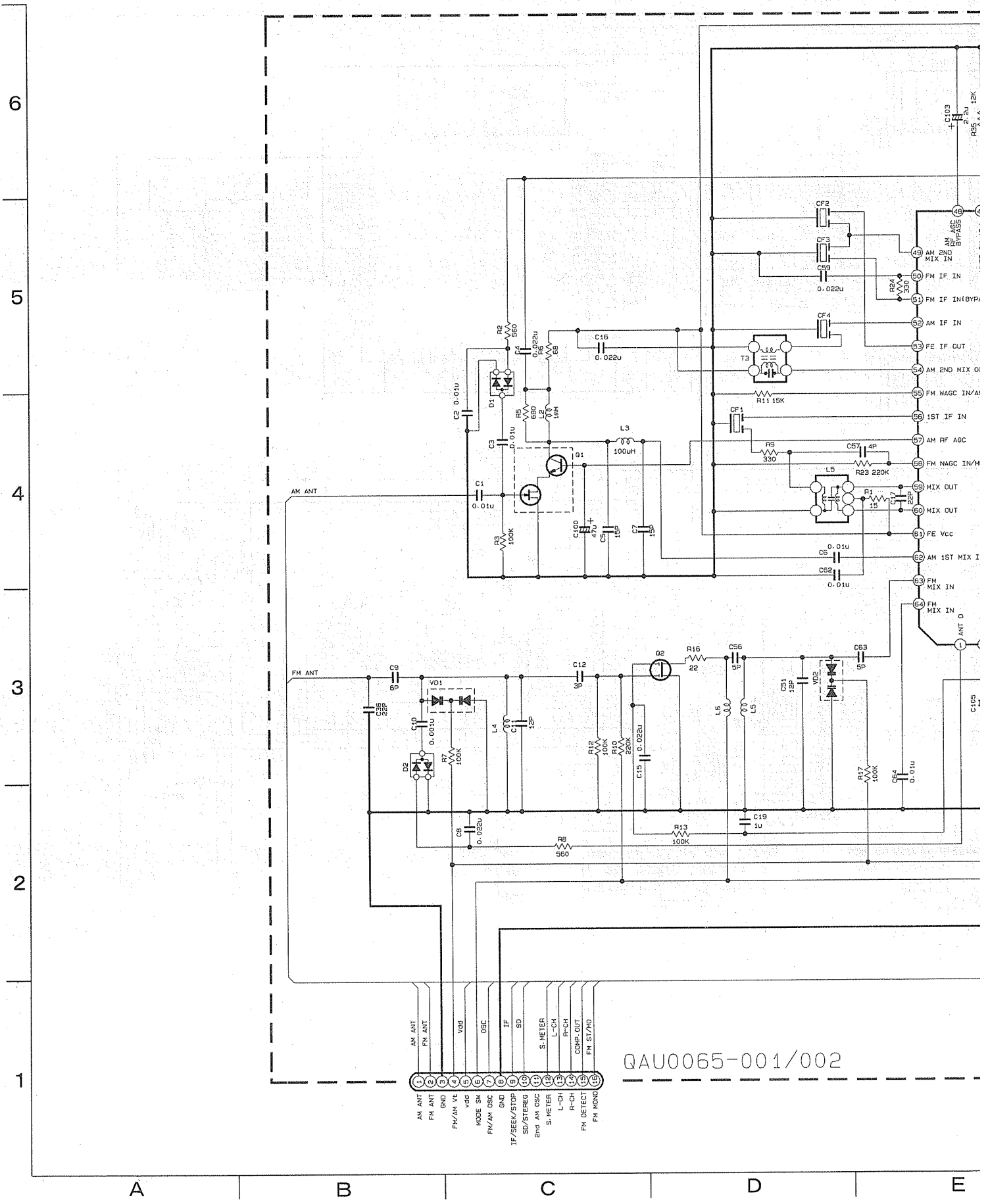
NOTES

1. VOLTAGES ARE DC-MEASURED WITH A DIGITAL VOLT METER WITHOUT INPUT SIGNAL. CONDITION --- FM MODE.
2. UNLESS OTHERWISE SPECIFIED.
 ALL RESISTORS ARE 1/10W ±5% METAL GLAZE RESISTOR.
 ALL CAPACITORS ARE 50V OR 25V OR 10V CERAMIC CAPACITOR.
 ALL RESISTANCE VALUES ARE IN Ohm(Ω).
 ALL CAPACITANCE VALUES ARE IN pF(p=pF).
 ALL INDUCTANCE VALUES ARE IN μH(m=μH).

⏏ TANTALUM ELECTROLYTIC CAPACITOR ARE SHOWN IN THE FORM OF CAPACITANCE(μF)/RATED VOLTAGE(V)

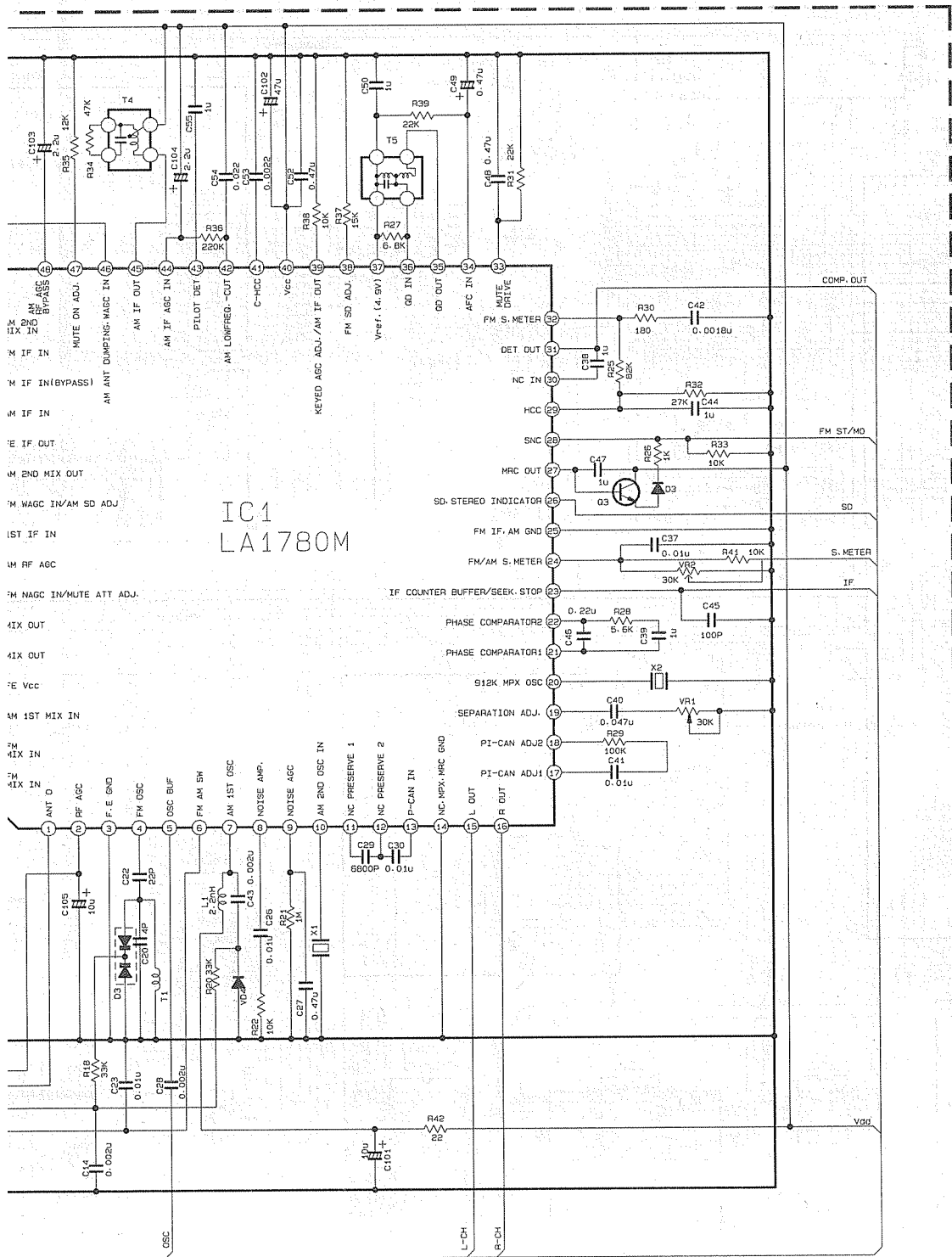
SW P. W. B VMW5726A

■ Tuner pack section

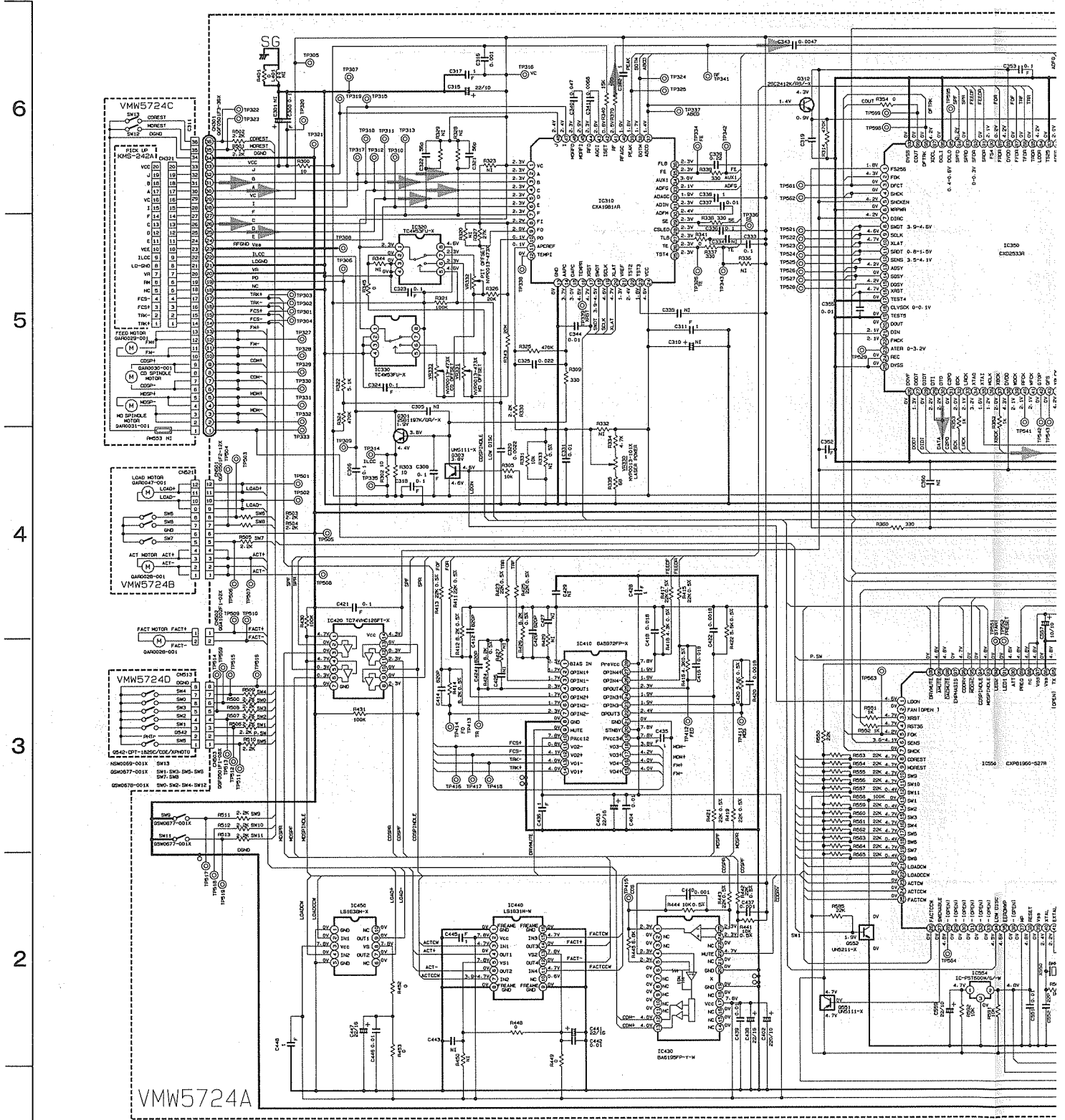


- 1 AM ANT
- 2 FM ANT
- 3 GND
- 4 FM/AM VL
- 5 VDD
- 6 MODE SR
- 7 FM/AM OSC
- 8 GND
- 9 IF
- 10 SD
- 11 S-METER
- 12 L-CH
- 13 R-CH
- 14 COMP OUT
- 15 FM DETECT
- 16 FM MONO

QAU0065-001/002

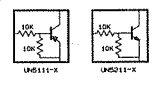


MD/CD servo control section

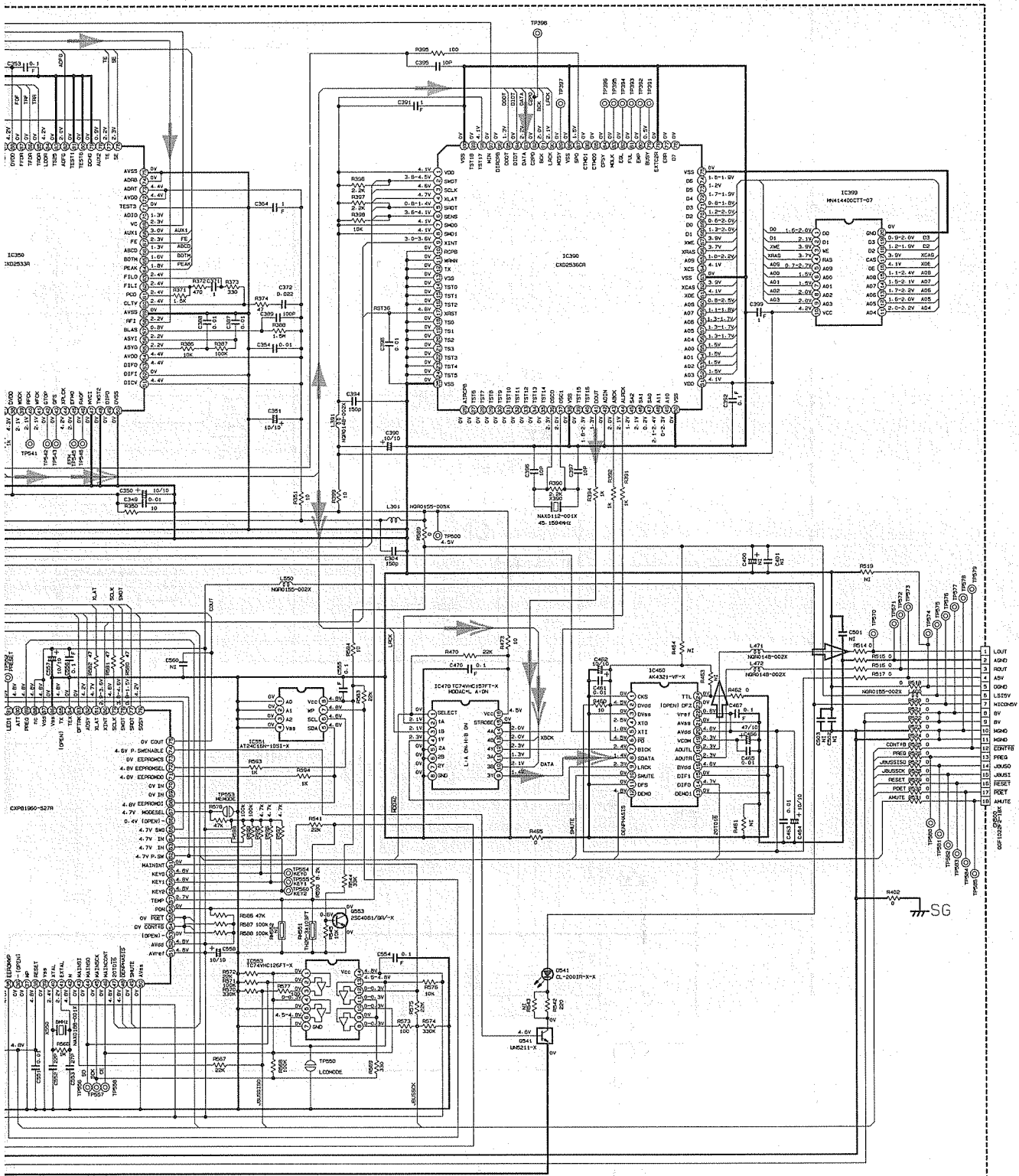


VMW5724A

- NOTES
1. VOLTAGES ARE DC-MEASURED WITH A DIGITAL VOLT METER WITHOUT INPUT SIGNAL. CONDITION --- RECORDABLE DISC PLAY
 2. UNLESS OTHERWISE SPECIFIED:
0.5K RESISTORS ARE 1/16W ±0.5% METAL GLAZE RESISTOR.
OTHER RESISTORS ARE 1/16W ±5% METAL GLAZE RESISTOR.
C319, C300, C349 AND C371 CAPACITORS ARE 10V CERAMIC CAPACITOR
ALL CAPACITORS ARE GREATER THAN 10V CERAMIC CAPACITOR
ALL RESISTANCE VALUES ARE IN OHM (Ω).
ALL CAPACITANCE VALUES ARE IN PICO (pF).
ALL INDUCTANCE ARE TYPE NO.
ALL E-CAPACITORS ARE SHOWN IN THE FORM OF CAPACITANCE/(RATED VOLTAGE (V)).
 3. TANTALUM ELECTROLYTIC CAPACITOR (E-CAPACITOR)
4. CERAMIC CAPACITOR TEMPERATURE CHARACTERISTIC +30%/-60%



KD-MX2800R



ANDS FOR NOT MOUNTED PARTS

- ➡ MD/CD PLAYBACK SIGNAL
- ➡ MD DIGITAL SIGNAL
- ➡ CD DIGITAL SIGNAL

E

F

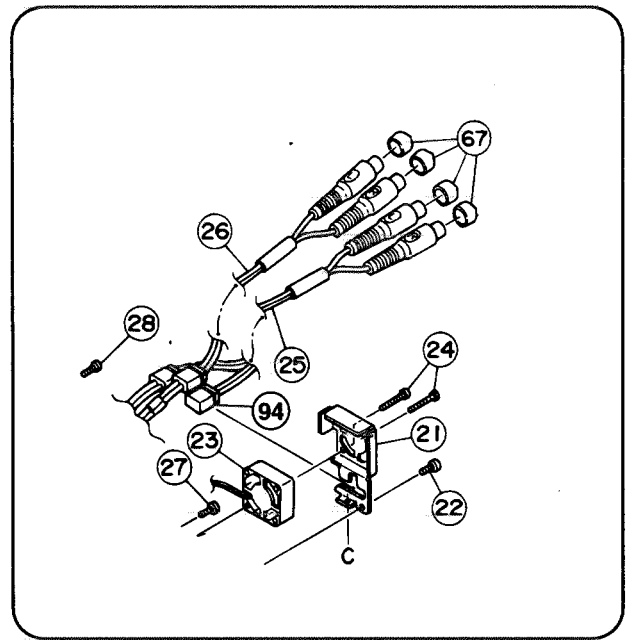
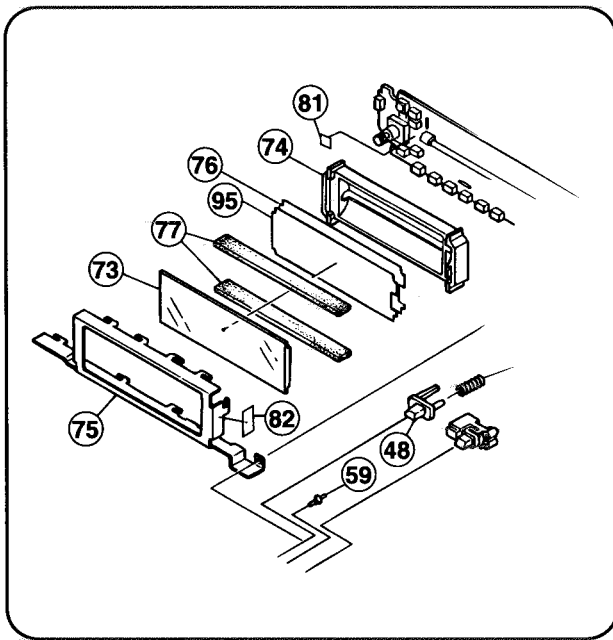
G

H

I

General exploded view and parts list
(page 4-2)

Block No. **M 1 M M**



General assembly parts list (page 4-3)

Ref.	Parts Name	KD-MX2800RE		KD-MX3000RE	
		Parts No.	QTY	Parts No.	QTY
25	CAR CABLE	QAM0188-001	1	QAM0067-002	1
26	CAR CABLE	QAM0075-002	1	QAM0075-001	1
47	FINDER	VJK2224-005	1	VJK2224-003	1
54	VOL.KNOB ASS'Y	FSXK3002-00C	1	VSXK3002-00A	1
55	UP DOWN BUTTON	FSXP2031-003	1	FSXP2031-001	1
66	NAME PLATE	LV31171-001A	1	VYN3896-002	1
67	PIN CAP	VYTA500-001	4	VYTA500-001	6
73	LCD MODULE	QLD0087-001	1	QLD0030-001	1
94	BUSH	LV41035-001A	1	-----	0
95	FILTER	LV41039-001A	1	-----	0

Electrical parts list (page 4-9 ~ 4-18)

Ref.	Parts Name	KD-MX2800RE	KD-MX3000RE
		Parts No.	Parts No.
C621	CAPACITOR	-----	NBE21AM-475R
IC621	IC	-----	RPM6938-V4
Q141	TRANSISTOR	-----	2SD104816-71-X
Q242	TRANSISTOR	-----	2SD104816-71-X
R141	RESISTOR	-----	NRSA02J-102X
R143	RESISTOR	-----	NRSA02J-101X
R145	RESISTOR	-----	NRSA02J-682NY
R242	RESISTOR	-----	NRSA02J-102X
R244	RESISTOR	-----	NRSA02J-101NY
R246	RESISTOR	-----	NRSA02J-682NY
R628	RESISTOR	QRZ0125-102X	-----

■ Packing parts list (page 4-21)

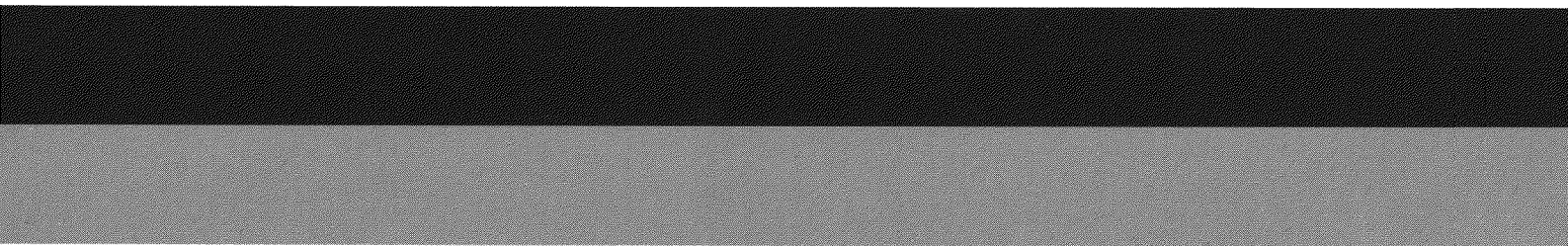
Ref.	Parts Name	KD-MX2800RE	KD-MX3000RE
		Parts No.	Parts No.
P4	CARTON	LV31172-001A	VPC3896-001

■ Accessories parts list (page 4-21)

Ref.	Parts Name	KD-MX2800RE	KD-MX3000RE
		Parts No.	Parts No.
A 1	INSTRUCTION	LVT0304-001A	VNN3873-312
A 2	INSTRUCTION	LVT0305-001A	VNN3873-322
A 4	INSTRUCT.SHEET	LVT0306-001A	VNN3873-T211
A 4	INSTRUCT.SHEET	LVT0307-001A	VNN3873-T451
A 4	INSTRUCT.SHEET	LVT0308-001A	VNN3873-T481
A13	REMOCON	-----	RM-RK25
A14	BATTERY	-----	QAB0014-001

<<MEMO>>

KD-MX2800R




JVC

VICTOR COMPANY OF JAPAN, LIMITED

MOBILE ELECTRONICS DIVISION, 10-1,1-Chome,Ohwatari-machi,maebashi-city,371-8543,Japan

(No.49515)

 Printed in Japan
9905(O)